

rectangular reversible adapters

REGULAR RECTANGULAR SHEET METAL/PVC ADAPTERS MODELS VMADX10X10X(75/90)**



CARATTERISTICHE

Adapter for connection between Ø75 / Ø90 round semi-rigid piping and the vent of VMC systems. The adapter has a side connection by default. Since it is reversible, it is still possible to make it to rear attachment at the installation site in a few simple steps.

Installation locations:

Wall; ceiling; suspended ceiling; floor (minimum depth 105 mm).

Materials of construction:

- 3 mm thick anti-condensation PVC for the "cover" (or "plate");
- galvanized steel sheet for the "base"(or "body"),
- cPP(polypropylene copolymer) for "GREY" Ø75 or Ø90 threaded collar,
- the adapter is supplied with a mortar-saving cardboard template on the vent/grille side, which can be easily removed once the wall installation has been carried out; in addition, the "GREY" collars are supplied (inside them) with gaskets for the half-ovals.

TECHNICAL SPECIFICATIONS

| Ø75 | | VMAD20X10X1075 | VMAD30X10X1075 | VMAD40X10X1075 |
|-------------------------------------------|------|-----------------------|-----------------------|-----------------------|
| Code | | | | |
| Collar diameter | mm | 75 | 75 | 75 |
| Collars | nr | 1 | 2 | 3 |
| Grid side dimensions | mm | 200x100 | 300x100 | 400x100 |
| Max flow rate (air velocity 3 m/s) | m³/h | 34 | 68 | 102 |
| Depth (P) | mm | 103 | 103 | 103 |

TECHNICAL SPECIFICATIONS

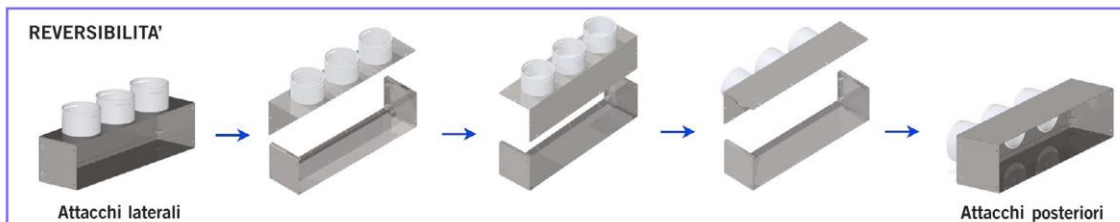
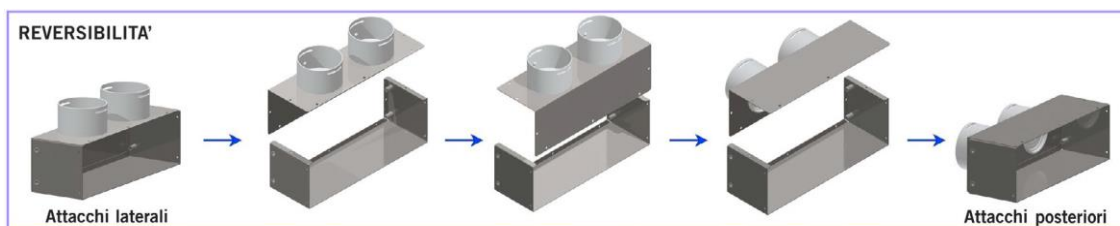
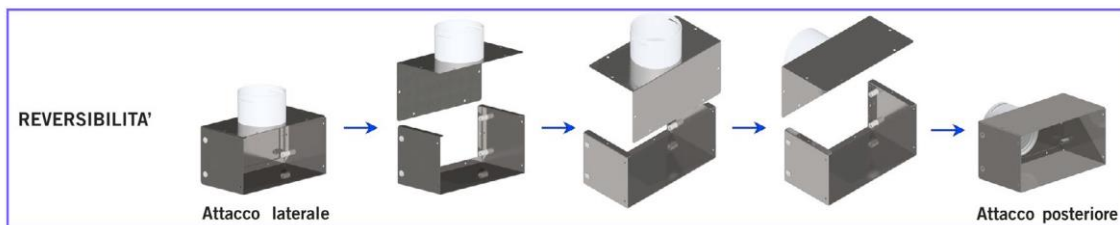
| Ø90 | | VMAD20X10X1090 | VMAD30X10X1090 | VMAD40X10X1090 |
|-------------------------------------------|------|-----------------------|-----------------------|-----------------------|
| Code | | | | |
| Collar diameter | mm | 90 | 90 | 75 |
| Collars | nr | 1 | 2 | 3 |
| Grid side dimensions | mm | 200x100 | 300x100 | 400x100 |
| Max flow rate (air velocity 3 m/s) | m³/h | 48 | 96 | 144 |
| Depth (P) | mm | 103 | 103 | 103 |

Air velocity 3 m/s = velocity inside Ø75 or Ø90 semi-rigid piping
 Adapters, bearing Ø75 collars, with shallow depth P=83 mm are also available.

REVERSIBILITY OF ADAPTERS:

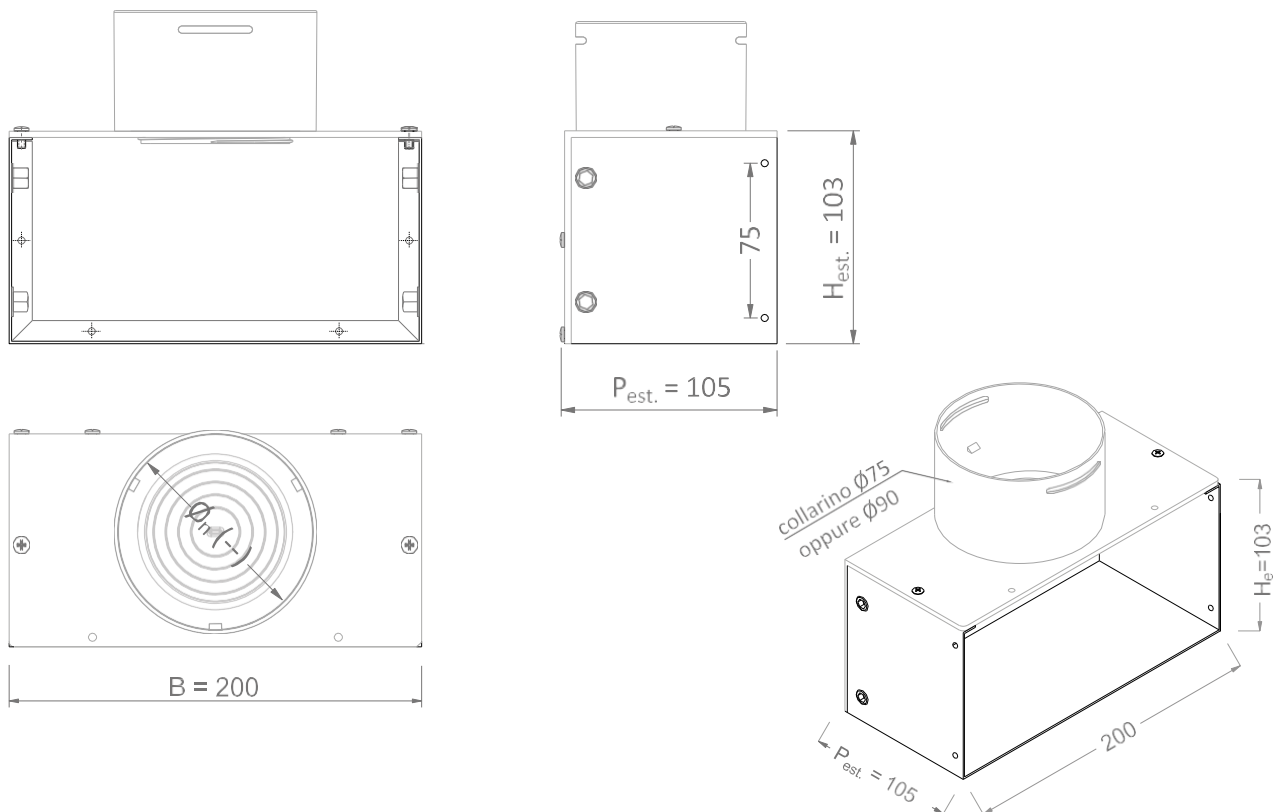
The adapter consists of a first piece of sheet metal (body) bent to match a second piece of anti-condensation PVC (plate). The base and cover are screwed together at the factory,

subject to the interposition of rubber sealing gasket; the connection can be easily taken by the installer from "side" to "rear" to make any kind of installation by the operations shown:



DIMENSIONAL

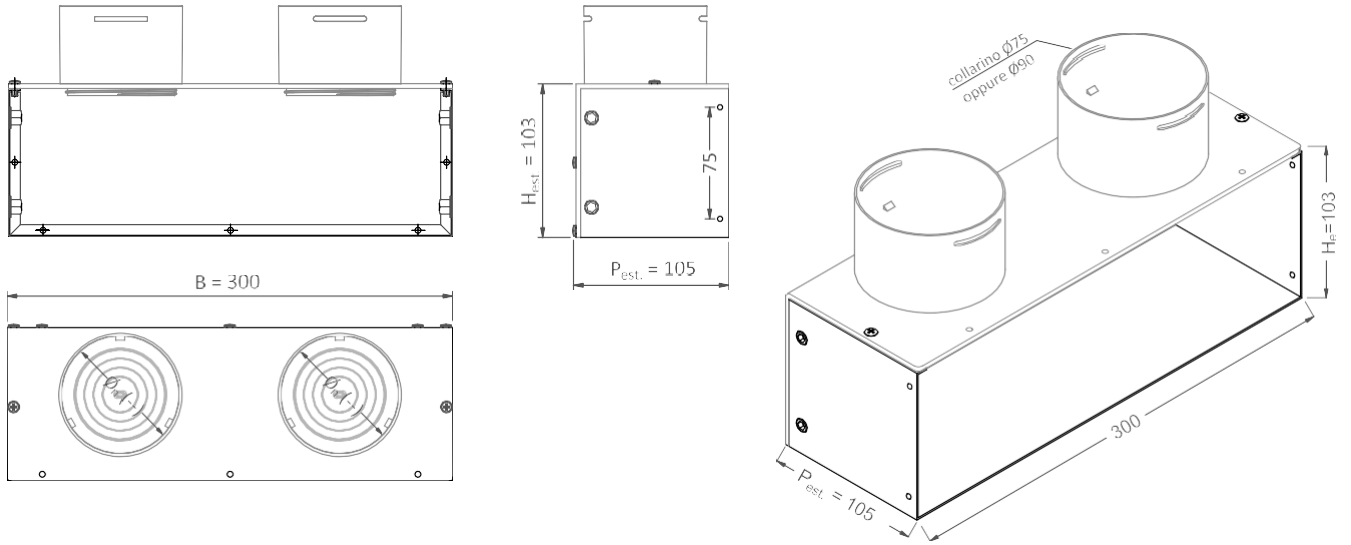
Adapter 200x100x100 mm nom. with zn sheet metal body. thickness. 1 mm and PVC plate thick. 3 mm cod. VMAD20X10X10(75/90)



Note: Reversible adapter, with side attachment collar (from factory) GREY $\varnothing 75$ 0 $\varnothing 90$

DIMENSIONAL

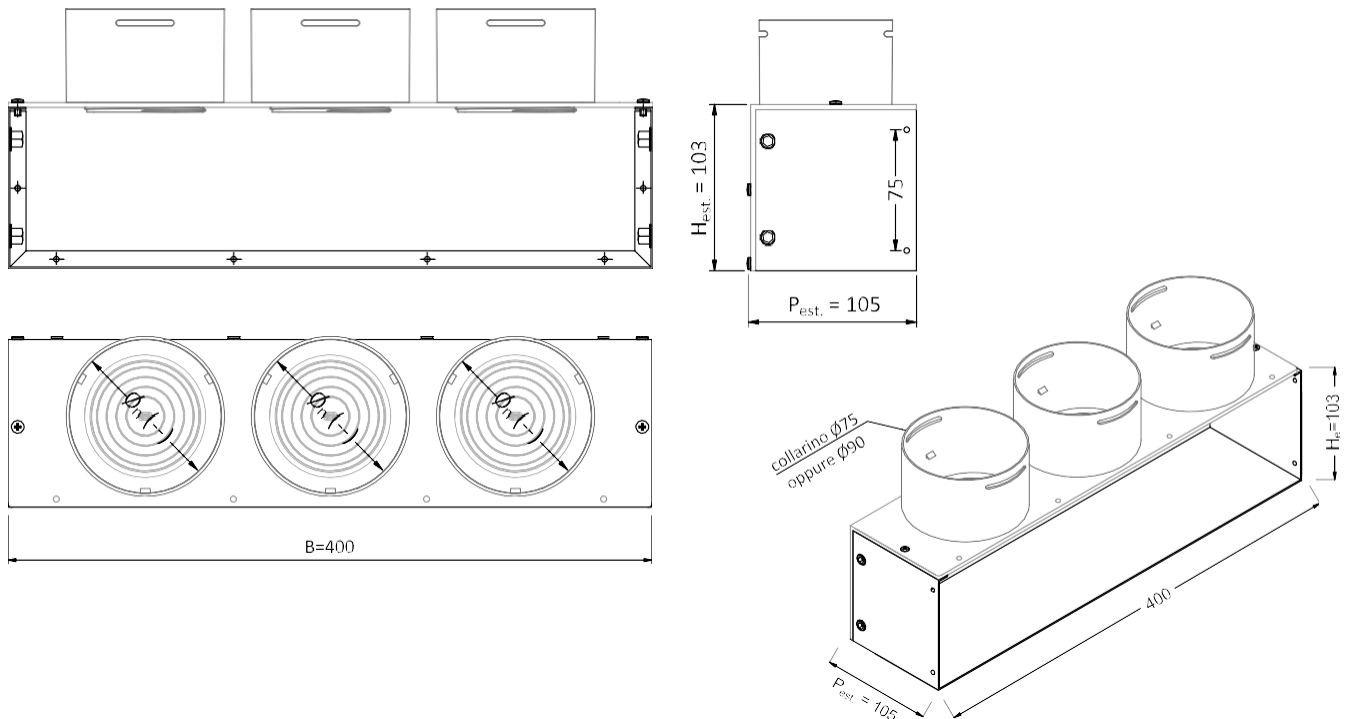
Adapter 300x100x100 mm nom. with zn sheet metal body. thickness. 1 mm and PVC plate thick. 3 mm cod. VMAD30X10X10(75/90)



Note: Reversible adapter, with side attachment collar (from factory) GREY $\varnothing 75$ 0 $\varnothing 90$

DIMENSIONAL

400x100x100 mm nom. adapter with zn sheet metal body. thickness. 1 mm and PVC plate thick. 3 mm cod. VMAD40X10X10(75/90)



Note: Reversible adapter, with side attachment collar (from factory) GREY $\varnothing 75$ 0 $\varnothing 90$

ACCESSORIES



Application

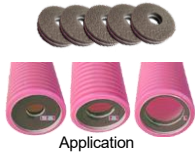
| Code | Description | Dim. [mm] |
|--------------|----------------------------------------------------------------------------------------------------------------------------------------------|-----------|
| VMAT186375AP | Sealing rings (gaskets), to be removed from the inside of each collar "GREY" and to be installed on the first throat of the semi-rigid pipe. | Ø 75 |
| VMAT187590AP | | Ø 90 |

OPTIONAL ACCESSORIES (EXCLUDED)



Possible application of the bracket kit

| Code | Description |
|-------------|-----------------------------------------------------------------------------------------------------------------------------------------------------------------------------------------------------------------------------------------------------------------------------------------------------------------------------------------------------------------------------------------------------------------------------------------------------------|
| VMADKITS100 | Bracket kit for mounting on plasterboard type walls or ceiling. The kit consists of two 1 mm thick galvanized steel L-shaped brackets each equipped with several round and slotted holes to be able to install the brackets in various ways and to be able to adjust the depth of the adapter relative to the fixing wall. There are 4 M6x12 bolts to secure the brackets on the adapter. Screws and dowels for fixing brackets on wall are not provided. |



Application

| Code | Description | Dim. [mm] |
|-----------|--------------------------------------------------------------------------------------------------------------|-----------|
| VMRPT75AP | Flow regulators, for insertion from inside the adapter in the Ø75 or Ø90 semi-rigid pipe (*). Pack of 5 pcs. | Ø 75 |
| VMRPT90AP | | Ø 90 |



| | | |
|----------------|----------------------------------------------------------------------------------------------------------------------------------------------------------------------------------------|---------|
| VMKISOP200X100 | Insulation kit of the outer sheet metal walls of normal rectangular adapters, made of polyethylene foam with adhesive film. To be applied in place. Size of the insulation panel -> | 420x103 |
| VMKISOP300X100 | | 520x103 |
| VMKISOP400X100 | | 620x103 |



| | | |
|-------------|-----------------------------------------------------------------------------------------------|---------|
| VMPP200X100 | Extension for rectangular adapters, made of galvanized sheet metal, useful depth P=31 mm (*). | 200x100 |
| VMPP300X100 | | 300x100 |
| VMPP400X100 | | 400x100 |



| | | |
|---------|------------------------------------------------------|---------|
| VMSIPRO | Insulation strip for rectangular adapter extensions. | 1000x25 |
|---------|------------------------------------------------------|---------|



| | | |
|-------------|-----------------------------------------------------------------------------------------------------------------------------------------------------|---------|
| VMRF200X100 | Class G4 polyester mesh + filter kit, for regular rectangular adapters (*). Dimensions of the net only (the filter has dim. somewhat greater) -> | 190x130 |
| VMRF300X100 | | 290x130 |
| VMRF400X100 | | 390x130 |



| | | |
|----------------|-----------------------------------------------------------------------------------------------------|---------|
| VMFV100200X100 | Class G4 polyester filters, for rectangular adapters, in conf. Of 10 pcs (*). Single filter size | 230x140 |
| VMFV100300X100 | | 330x140 |
| VMFV100400X100 | | 430x140 |



| | | |
|-------------|----------------------------------------------------------------------------------------------------------------------------------------------------------------------------------------------------------------|---------|
| VMF-20X10DS | Double-layer filter, specifically for flue-gas, for rectangular adapters. Formed by a layer of class G4 polyester fiber and a layer of nonwoven polymer material Filter size in the double layer surface | 215x103 |
| VMF-30X10DS | | 315x103 |
| VMF-40X10DS | | 415x103 |

(*) See also related data sheets

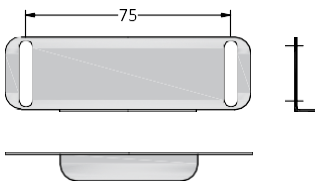
ACCESSORIES



OPTIONAL

Nozzle (optional) having the included magnet kit, the sheet metal brackets of which are to be attached to the rectangular adapters or, preferably in the case of side connections, to the adapter extensions:

| Code | Description | Dim. nominal |
|-----------------|--------------------------------------------------------------------------------------------------------------------------------------------------------------------------|--------------|
| VMGF01200X100BM | | 200x100 |
| VMGF01300X100BM | PVC RAL9010 louvered grille with magnet kit included (consisting of no. 2 sheet metal brackets, Galvanized, screws and by no. 2 magnets already glued on the slit grid). | 300x100 |
| VMGF01400X100BM | | 400x100 |

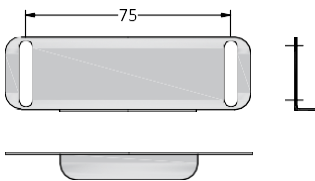


relay drawing



magnet detail

| Code | Description | Flow rate at 1 m/s [m ³ /h] | Dim. nominal |
|----------------|------------------------------------------------------------------------------------------------------------------------------------------------------------|----------------------------------------|--------------|
| -B/01200X100BM | | 40 | 200x100 |
| -B/01300X100BM | RAL9010 PVC vent with magnet kit included (consisting of no. 2 relays in Galvanized sheet metal, screws and by no. 2 magnets already glued on the nozzle). | 61 | 300x100 |
| -B/01400X100BM | | 83 | 400x100 |



relay drawing



magnet detail